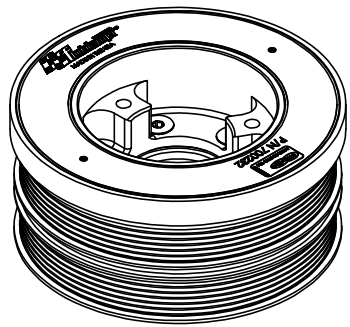
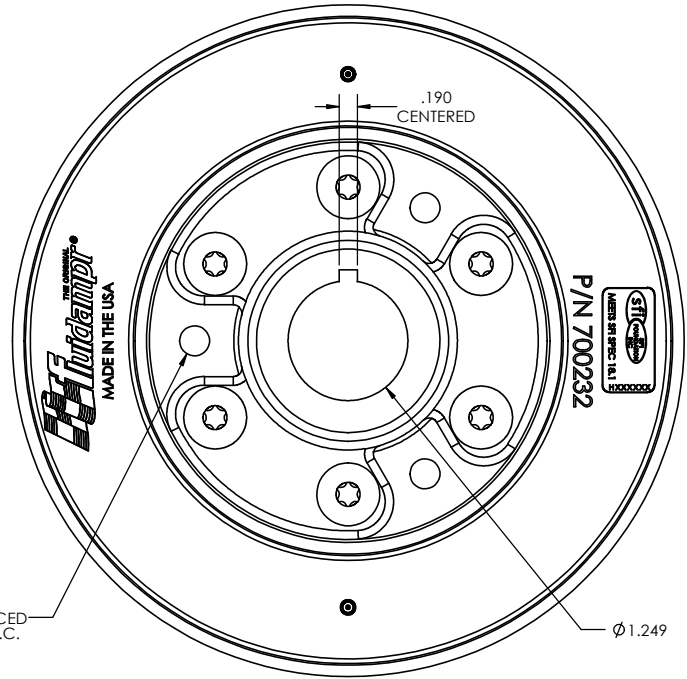
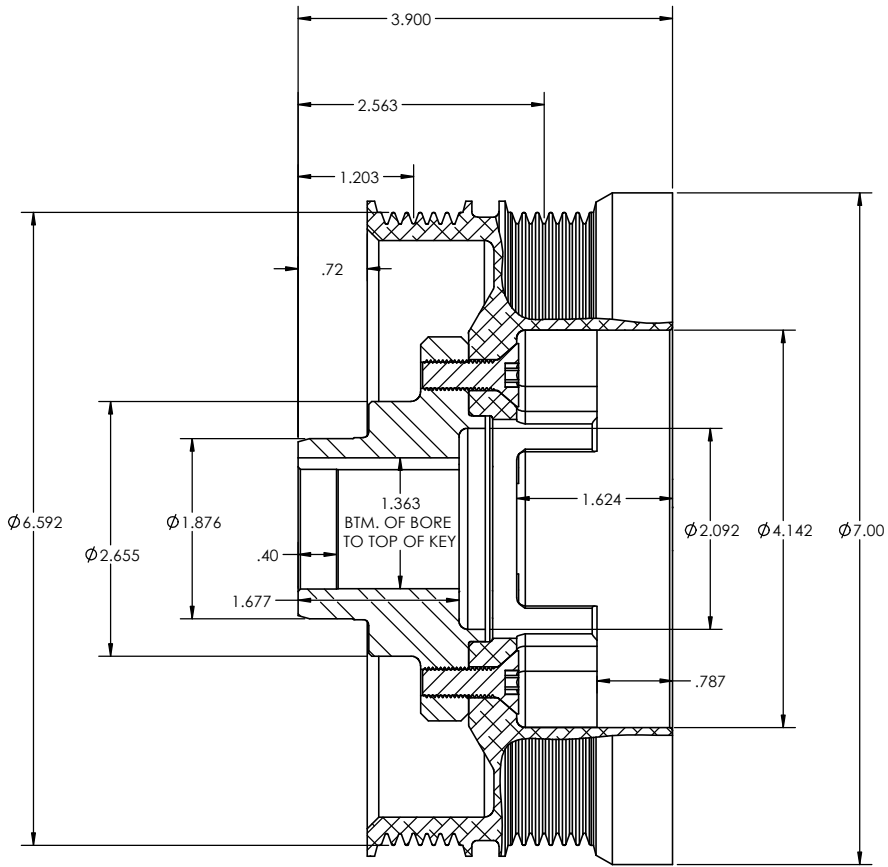


REVISIONS		
REV.	DESCRIPTION	DATE
A	ECN #22147	1/16/23



NOTES:
1. TORQUE 5/16-24 BOLTS TO 20 FT.LBS. USING RED LOCTITE

APPLICATION:			
FORD V8			
INTERNALLY BALANCED			
PROPRIETARY AND CONFIDENTIAL			
FINAL			
NEXT ASSY	USED ON		
APPLICATION			

FINISH:
CLEAR ANODIZE / ROHS BLACK
ZINC CHROMATE

COMMENTS:
ORDER PART #
700232

VIBRATECH TVD 180 ZOAR VALLEY ROAD SPRINGVILLE, NEW YORK 14141 USA		
TITLE: 7" DIA. FORD V8		
SIZE C	DWG. NO. 700232-C	REV A
WEIGHT: 9.9 LBS SHEET 1 OF 1		